

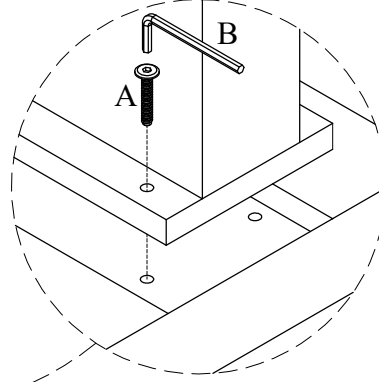
ELRIS NIGHT STAND

Thank you for purchasing this quality product. Be sure to check all packing material carefully for small parts that may have come loose inside the carton during shipment.

INSTRUCTION SHEET

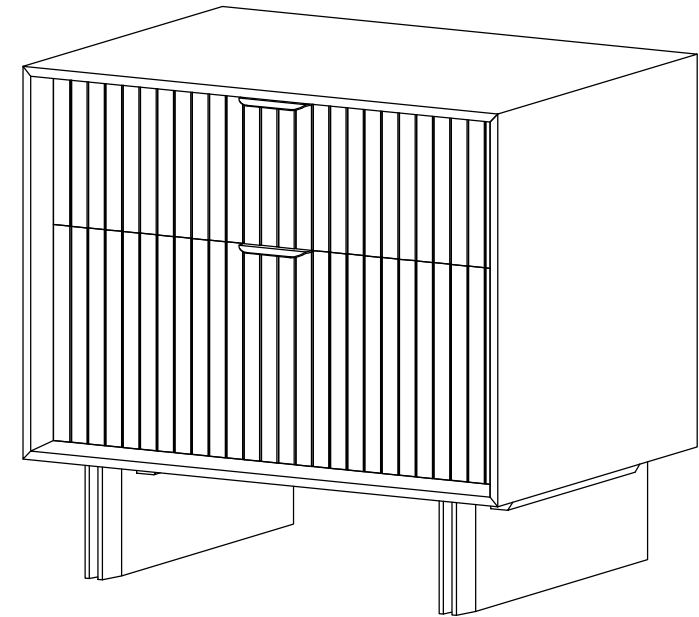
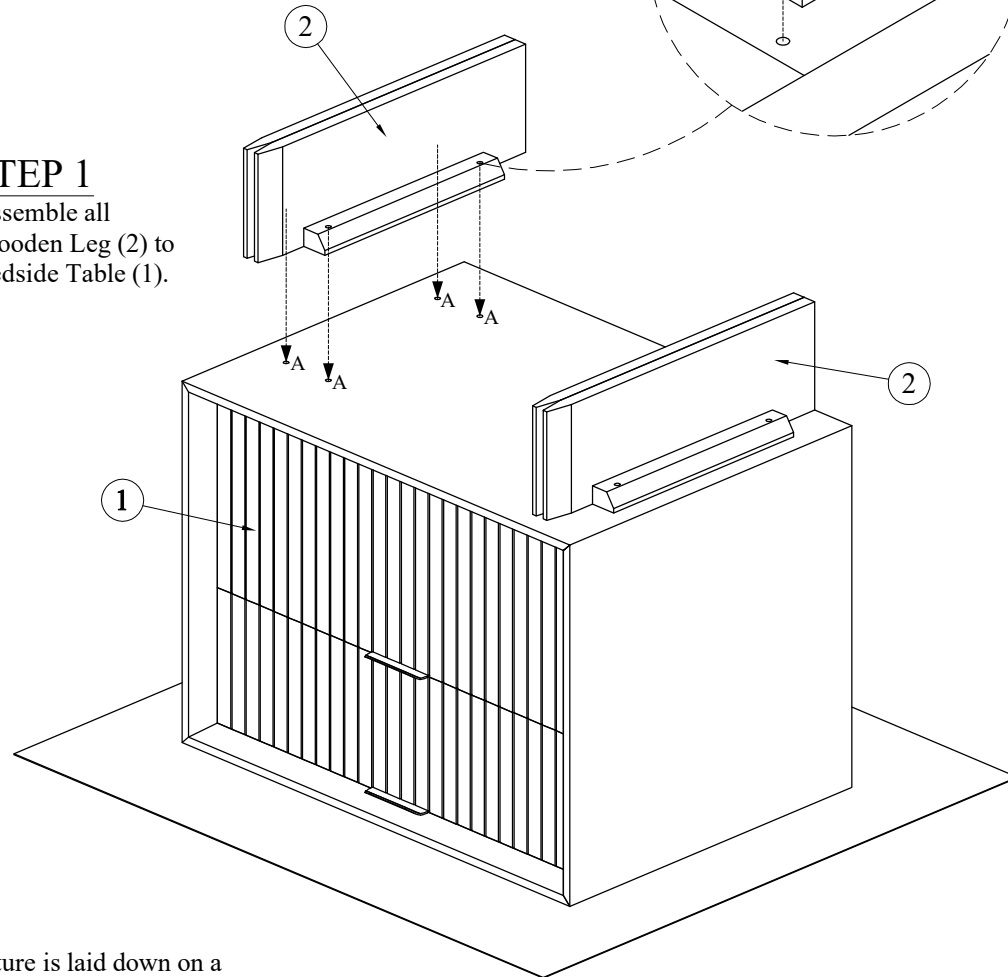
PART LIST

NO.	DESCRIPTION	QTY.
1	NIGHT STAND	1pc
2	WOODEN LEG	2pcs



STEP 1

Assemble all Wooden Leg (2) to Bedside Table (1).





FULLY ASSEMBLED

Note:

Make sure furniture is laid down on a *clean flat surface* (carton box or soft cloth) to prevent any *scratch* to the furniture.

HARDWARE LIST

NO.	DESCRIPTION	QTY
A	 JCBC M6 x 30	8
B	 ALLEN KEY M4	1

MADE IN MALAYSIA