

# ASSEMBLY INSTRUCTION

ITEM : CF 651 PARI, QUEEN BED

## HARDWARE LIST

ITEM	DESCRIPTION	QTY
A	JCBC SCREW M6 x 60mm	3 pcs
B	SPRING WASHER M6	3 pcs
C	FLAT WASHER M6	3 pcs
D	ALLEN KEY M4	1 pc
E	ALLEN KEY M5	1 pc
F	CSK SCREW M4 X 30mm	24 pcs
G	L - BRACKET	1 pc
H	CSK SCREW M4 X 16mm	2 pcs

## PART LIST

PART / DESCRIPTION	QTY
HEADBOARD	1 pc
FOOTBOARD	1 pc
SIDE RAIL	2 pcs

PART / DESCRIPTION	QTY
MATTRESS SLAT	12 pcs
CENTER SUPPORT	1 pc
CENTER LEG	3 pcs

### STEP 1

**CAUTIONS :** Hardware are to kept out of reach from children.

#### STEP 1

Loose the 'screw' on bracket of "HEADBOARD" and "FOOTBOARD". Assembly the "SIDE RAIL" to "HEADBOARD" and "FOOTBOARD", then fix back the 'screw' on bracket of "HEADBOARD" and "FOOTBOARD".

#### STEP 2

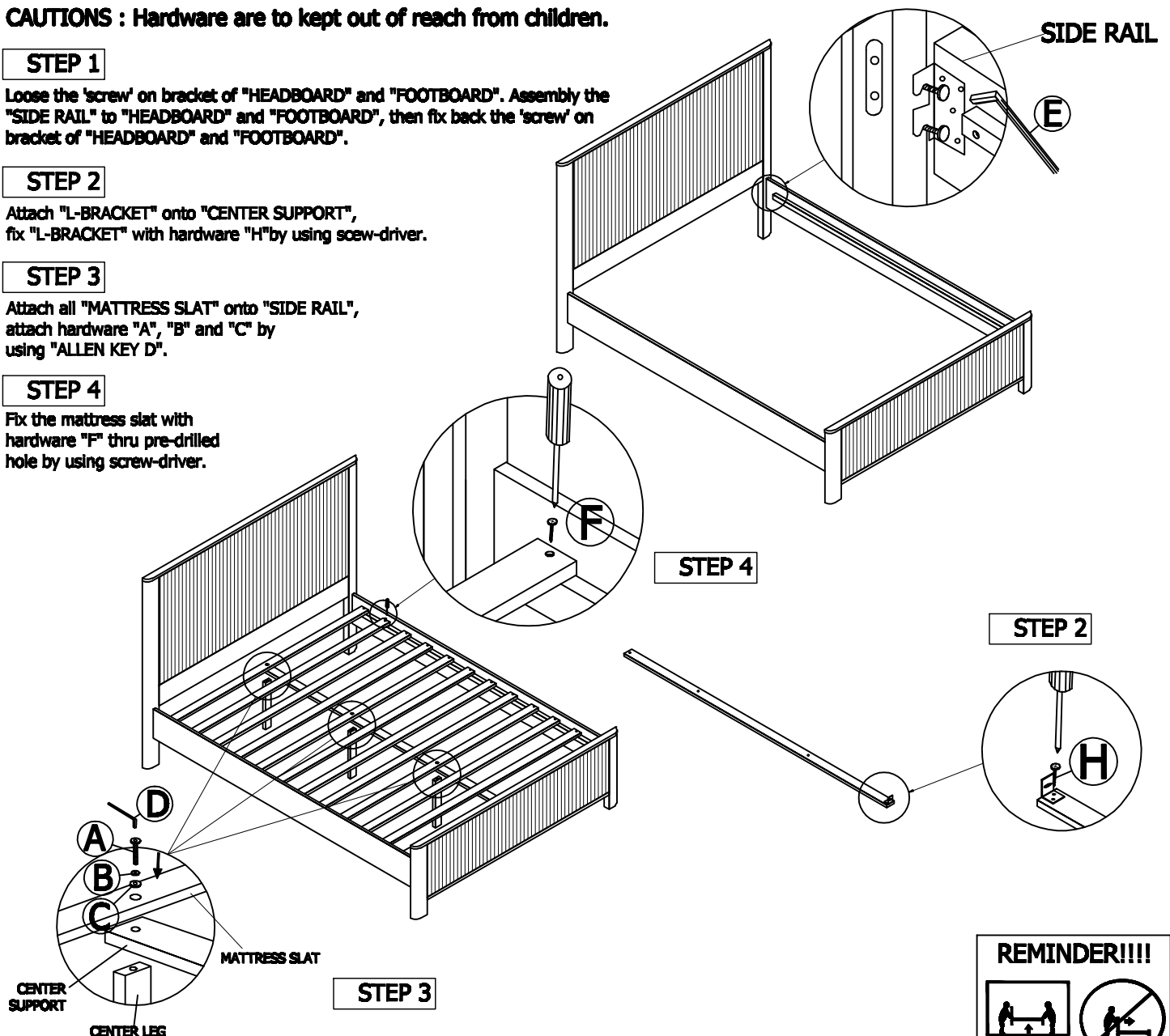
Attach "L-BRACKET" onto "CENTER SUPPORT", fix "L-BRACKET" with hardware "H" by using scow-driver.

#### STEP 3

Attach all "MATTRESS SLAT" onto "SIDE RAIL", attach hardware "A", "B" and "C" by using "ALLEN KEY D".

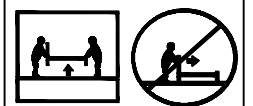
#### STEP 4

Fix the mattress slat with hardware "F" thru pre-drilled hole by using screw-driver.



#### STEP 2

### REMINDER!!!!



NOTE : ONE BED TOTAL 3 CARTONS (HEADBOARD, FOOTBOARD + SLAT & SIDE RAIL)

MADE IN MALAYSIA

# ASSEMBLY INSTRUCTION

# ITEM : CF 651 PARI, KING BED

## HARDWARE LIST

ITEM	DESCRIPTION	QTY
A	JCBC SCREW M6 x 60mm	6 pcs
B	SPRING WASHER M6	6 pcs
C	FLAT WASHER M6	6 pcs
D	ALLEN KEY M4	1 pc
E	ALLEN KEY M5	1 pc
F	CSK SCREW M4 X 30mm	24 pcs
G	L - BRACKET	2 pcs
H	CSK SCREW M4 X 16mm	4 pcs

## PART LIST

PART / DESCRIPTION	QTY
HEADBOARD	1 pc
FOOTBOARD	1 pc
SIDE RAIL	2 pcs

PART / DESCRIPTION	QTY
MATTRESS SLAT	12 pcs
CENTER SUPPORT	2 pcs
CENTER LEG	6 pcs

**CAUTIONS :** Hardware are to kept out of reach from children.

### STEP 1

Loose the 'screw' on bracket of "HEADBOARD" and "FOOTBOARD". Assembly the "SIDE RAIL" to "HEADBOARD" and "FOOTBOARD", then fix back the 'screw' on bracket of "HEADBOARD" and "FOOTBOARD".

### STEP 2

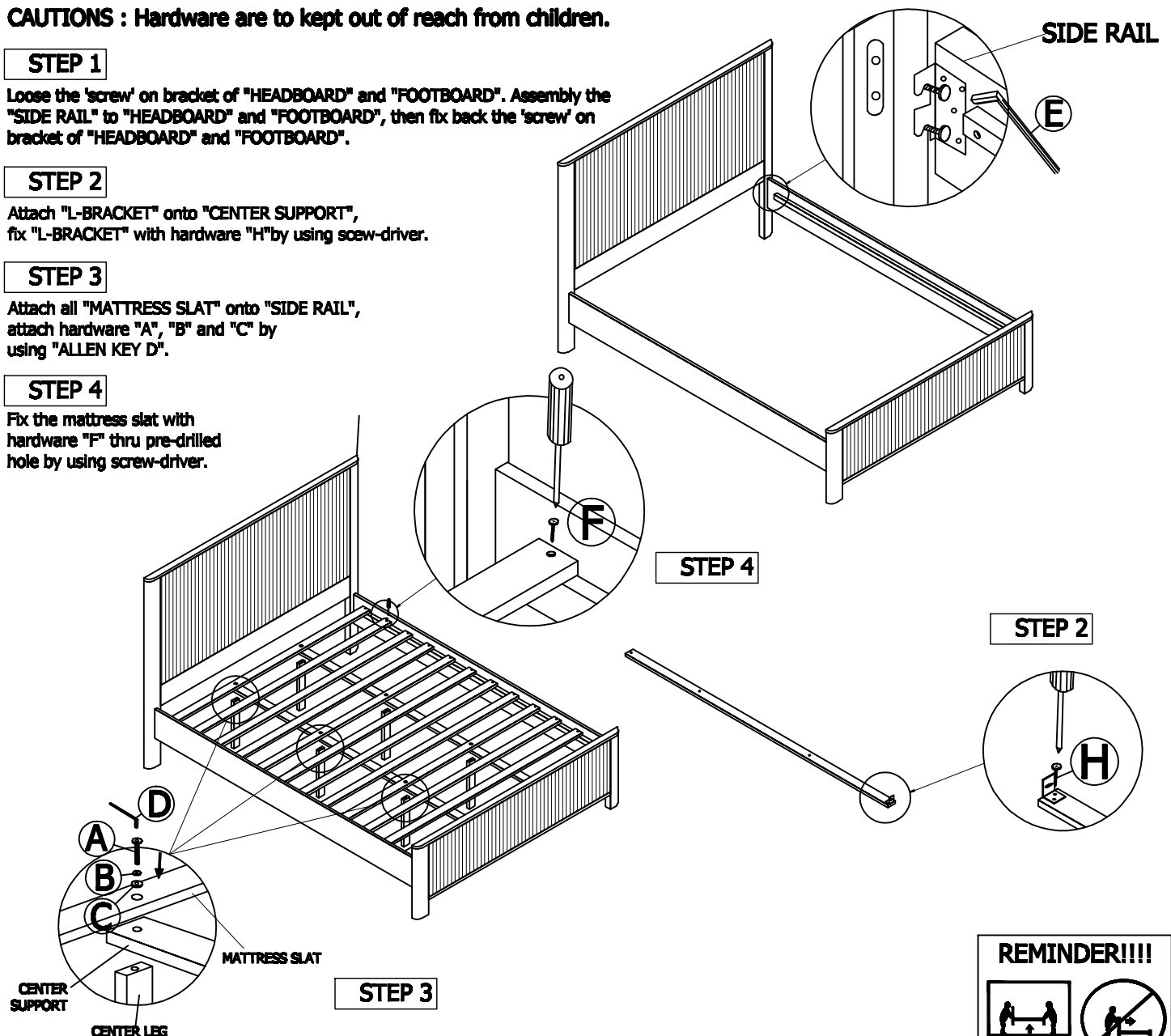
Attach "L-BRACKET" onto "CENTER SUPPORT", fix "L-BRACKET" with hardware "H" by using scow-driver.

### STEP 3

Attach all "MATTRESS SLAT" onto "SIDE RAIL", attach hardware "A", "B" and "C" by using "ALLEN KEY D".

### STEP 4

Fix the mattress slat with hardware "F" thru pre-drilled hole by using screw-driver.



STEP 1

SIDE RAIL

E

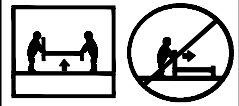
STEP 4

STEP 2

H

STEP 3

**REMINDER!!!!**



**NOTE :** ONE BED TOTAL 3 CARTONS (HEADBOARD, FOOTBOARD + SLAT & SIDE RAIL)

MADE IN MALAYSIA